

ADSL MAGNETICS

Transformer

TM99AF

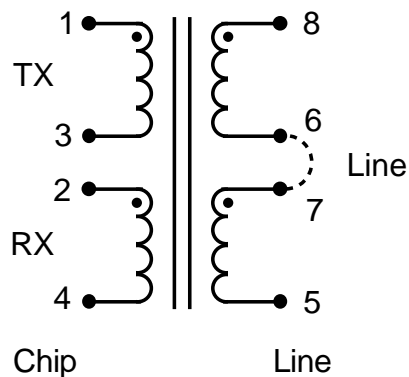
- Designed for the Globespan's low-power ADSL chip set
- UL and CSA approved
- Operating temperature range of 0° C to +85° C
- Minimum interwinding breakdown voltage of 1500 Vrms

ELECTRICALS at 25° C

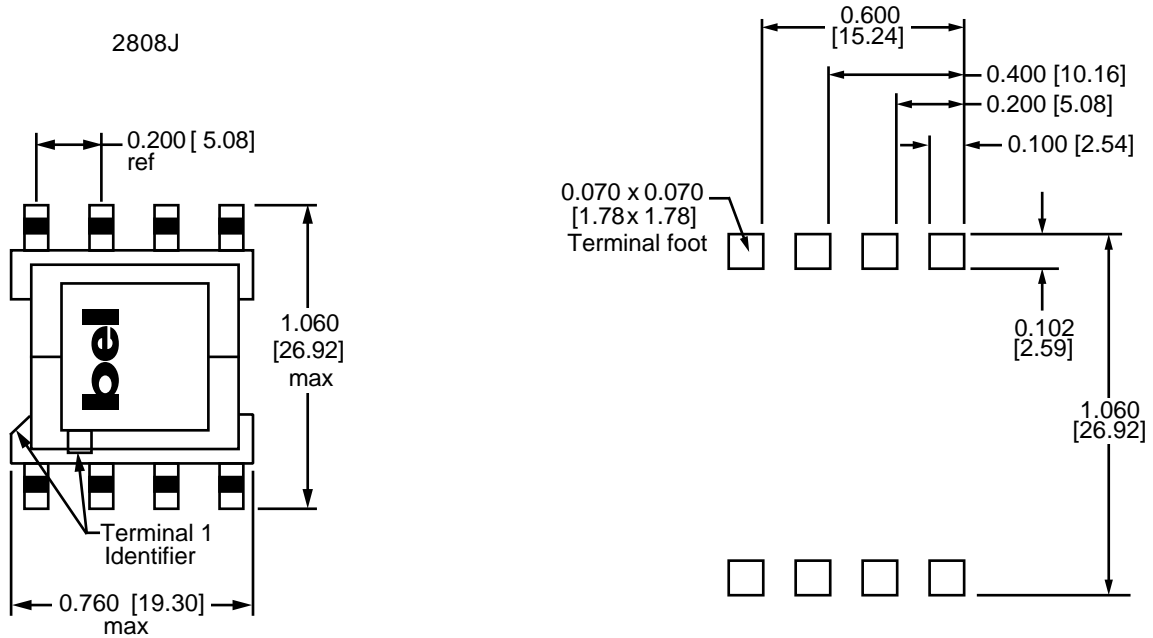
Part Number	Turns Ratio ± 3%		Inductance μH min	Leakage Inductance* μH max	DCR Ω max		Interwinding Capacitance pF max
	TX : Line	RX : Line	TX		Chip	Line	
2808J	1 : 4	1 : 2.05	25.0	7.0	1.60	2.40	30

* Measured at RX with line side shorted

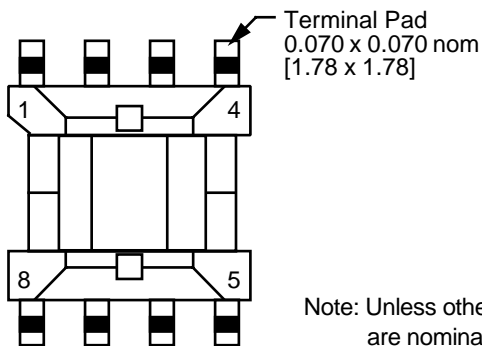
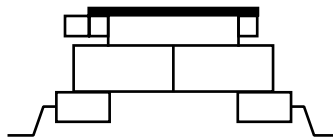
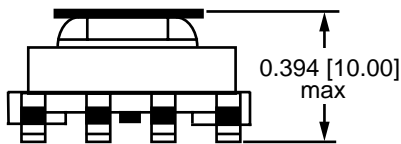
SCHEMATIC



MECHANICAL



Suggested PCB Pad Layout



Note: Unless otherwise specified, dimensions are nominal and in inches [millimeters].

Tape and reel packaging: 200 parts/reel

©1999 Bel Fuse Inc. Specifications subject to change without notice.

CORPORATE

Bel Fuse Inc.
198 Van Vorst Street
Jersey City, NJ 07302
Tel 201-432-0463
Fax 201-432-9542
www.belfuse.com

FAR EAST

Bel Fuse Ltd.
8F / 8 Luk Hop Street
San Po Kong
Kowloon, Hong Kong
Tel 852-2328-5515
Fax 852-2352-3706
www.belfuse.com

EUROPE

Bel Fuse Europe Ltd.
Preston Technology Management Centre
Marsh Lane, Suite F23, Preston
Lancashire, PR1 8UD, U.K.
Tel 44-1772-556601
Fax 44-1772-888366
www.belfuse.com